

ETF WEST LLC
Division of Energy Task Force LLC

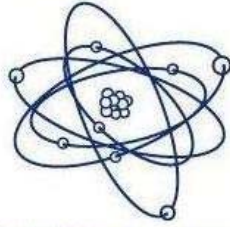
Pre-insulated pipe

7700 W Olive Ave - Peoria, AZ - 85345 - 623-878-4377 - 623-878-6683

ETF-MT Product Submittal

Pre-insulated piping system designed for Grease Waste Piping and all other 45° to 100° medium temperature systems.

- Carrier Pipe:** Schedule 40 PVC conforming to ASTM D2241.
- Conduit:** ¾" EMT Conduit for Heat Trace Cable
- Insulation:** Polyurethane foam: K Factor 0.14, Density 2.0 to 3.0 PCF, 90-95% closed cell conforming to mil spec -1-24172 and ASTM-C-591 completely filling the annular space between carrier pipe and jacket.
- Jacketing Material:** High impact seamless polyvinyl chloride (PVC) class 12454 B compound conforming to ASTM 1784 Type 1, Grade 1. For jacket thickness see attached schedule
- End Seal:** Mastic is factory applied to insulation ends.
- Insulation of Straight Joints:** After testing, the PVC sleeve is slid in place and sealed with pressure sensitive tape. Polyurethane foam is then mixed and poured into the annular space and sealed watertight.
- Fittings:** All fittings are contractor supplied; field welded and insulated utilizing ETF West fitting insulation kits. Fitting covers matching thickness of jacket, poured foam and pressure sensitive tape.
- Heat Trace:** Thermal Heat Traced System @ 96° constant Watt. 208V/1Ø manufactured by Ray Chem® or equal.



ETF WEST LLC
Division of Energy Task Force LLC

Pre-insulated pipe

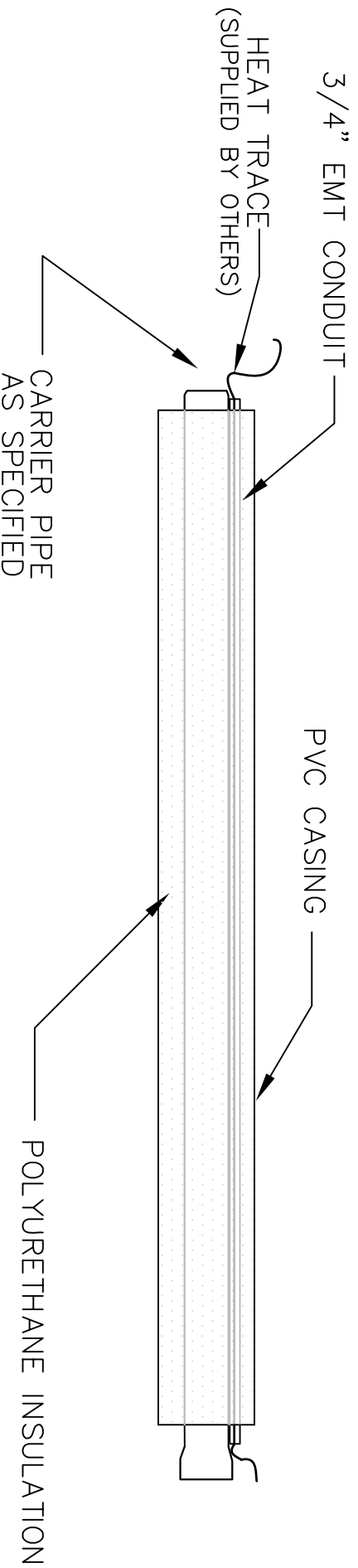
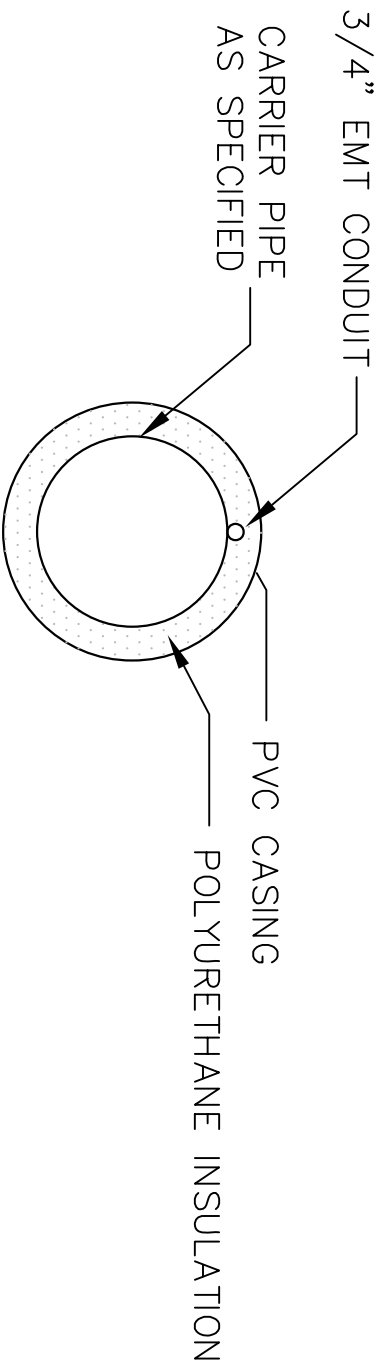
7700 W Olive Ave - Peoria, AZ - 85345 - 623-878-4377 - 623-878-6683

Table 1: Specified Carrier Pipe / PVC Jacket

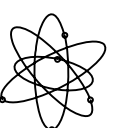
Nominal Pipe Size	Minimum Insulation Thickness	Nominal Jacket Size	Jacket Thickness
1/2"	1.27	4.0	60 mils
3/4"	1.41	4.0	60 mils
1"	1.03	4.0	60 mils
1 1/4"	1.17	4.0	60 mils
1 1/2"	1.25	4.0	60 mils
2"	1.81	6.0	70 mils
2 1/2"	1.68	6.0	70 mils
3"	1.25	6.0	70 mils
4"	1.75	8.0	80 mils
5"	2.22	10.0	100 mils
6"	1.68	10.0	100 mils

ETF WEST LLC WARRANTY

ETF West LLC warrants its products only to the extent that it will replace those proved to have manufactured defects, within a one-year period from date of delivery. ETF West must be provided an opportunity to inspect an alleged defective product and the installation application. This warranty does not provide for the expenses incurred for removal, re-installation or consequential damages arising from the defective material. There is no warranty other than that described above, and no one is authorized to issue any other warranty related to ETF West LLC products.



THE HEAT TRACE CABLE WILL BE RUN INSIDE THE 3/4" CONDUIT



ETF WEST LLC
PRE-INSULATED PIPE

7700 WEST OLIVE AVE - PEORIA, AZ 85345 - 623-878-4377 - 623-878-6683

SCALE
NTS

Schedule 40 PVC
W/Heat Trace

DRAWN BY
LG

DATE
8/2/04

DWG #